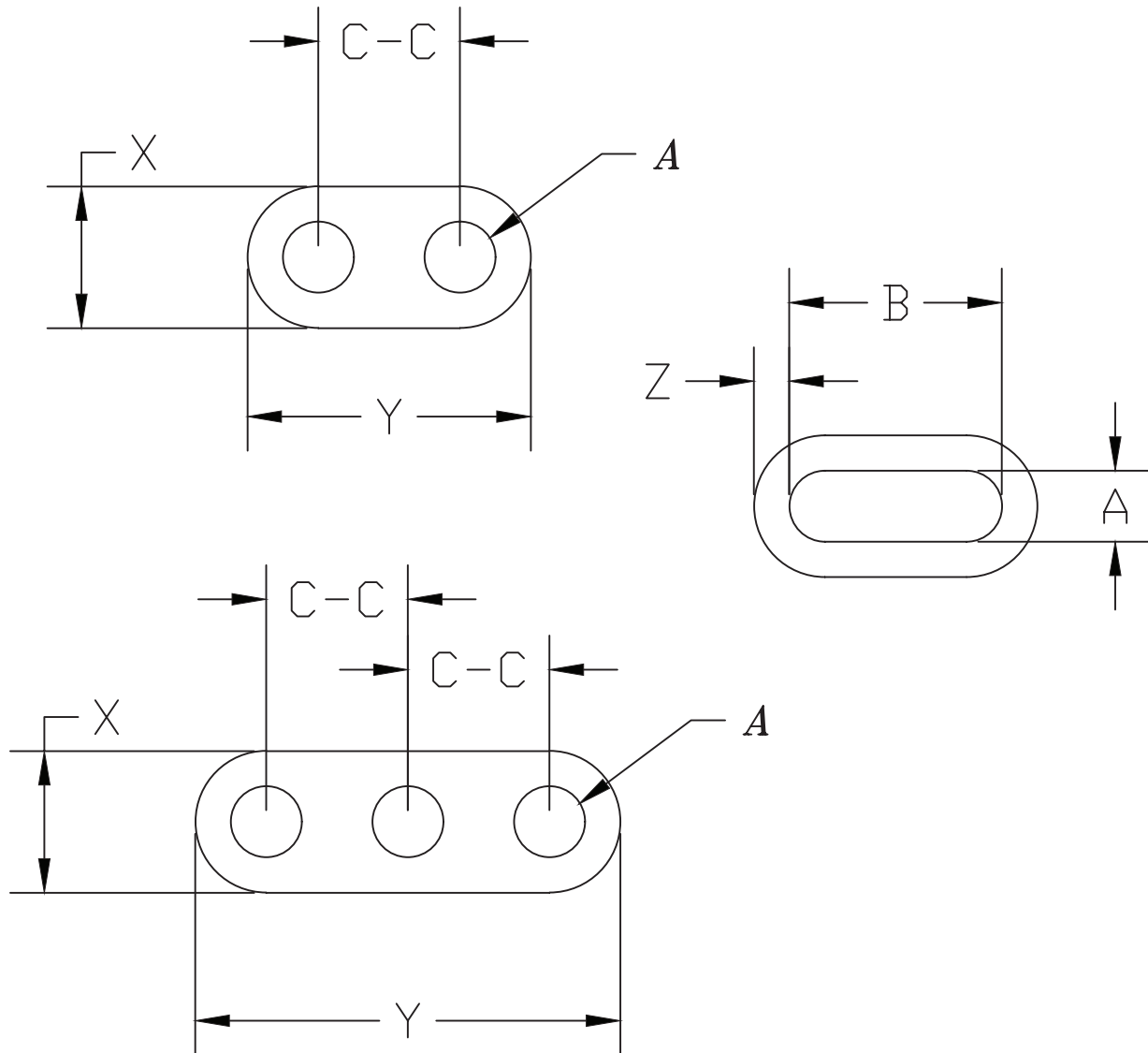


## MULTI-CONDUCTOR TOOLING DIMENSION DIAGRAMS



(If your profile is different from the one's shown here, please sketch with all dimensions.)